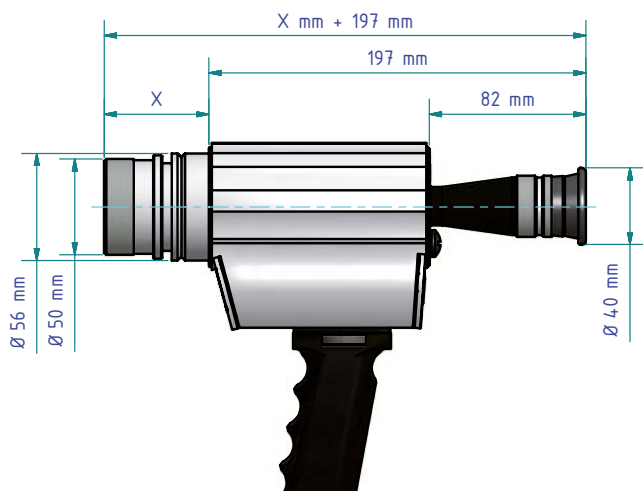


Pyrometer

EMV standard

- DIN EN IEC 61000-6-2:11/2019
- DIN EN IEC 61000-6-4:09/2020
- BS EN IEC 61000-6-2:2019
- BS EN IEC 61000-6-4:2019

Dimensions



Shipment includes

- Pyrometer
- Battery charger
- USB cable VK 11/D (1.8 m)
- CellaView software
- Protective carrying case
- Instruction manual
- Calibration certificate according to ISO 9001

In addition

- Protective glass



Technical data *

Temperature ranges

- As per table of models

Resolution display

- 1 K

Resolution USB port

- 0.1 K

Temperature coefficient

- $\leq 0.05 \text{ \%}/\text{K}$
Referenced to $23 \text{ }^\circ\text{C}$

Response time t_{98}

- As per table of models

LED display (7 segments)

- 4-digit
(digit height 8 mm)

Power supply

- Rechargeable
battery pack

Battery life

- approx. 15 hours
(based on continuous
operation at $T_a = 23 \text{ }^\circ\text{C}$)

Permissible humidity

- 95 % r.h. max.
(non-condensing)

Ambient operating temperature

- $0 - +50 \text{ }^\circ\text{C}$

Storage temperature

- $-20 - +60 \text{ }^\circ\text{C}$

Material

- housing: aluminium
handle: polyamide

Protection

- IP 40 according to
DIN 40050

Weight

- approx. 1.1 kg

Sighting

- True-sided through-the-
lens sighting, parallax
free, target spot indicator,
diopter compensation,
polarizing filter

Diopter range

- $-3 - +1$ diopters,
adjustable

Digital output

- USB

Buzzer alarm

- Highly configurable

Tripod

- $3/8''$ for housing and
handle

Memory modes

- Current, maximum,
average values

ATD function

- Automatically identifies
the target and detects its
temperature

SSI traffic light function

- For displaying the signal
strength

CSD filter function

- For measuring the oxide-
and slag-free molten
metal (PT 180/PT 183)

* Specifications of the technical data according to DIN IEC TS 62492-1 and DIN IEC TS 62492-2
Calibration of the pyrometers according to VDI/VDE 3511 sheet 4.4

Accessories



Protective glass



Supplementary lens